

Canyon Console

Assembly Instructions

KING[®]
L I V I N G

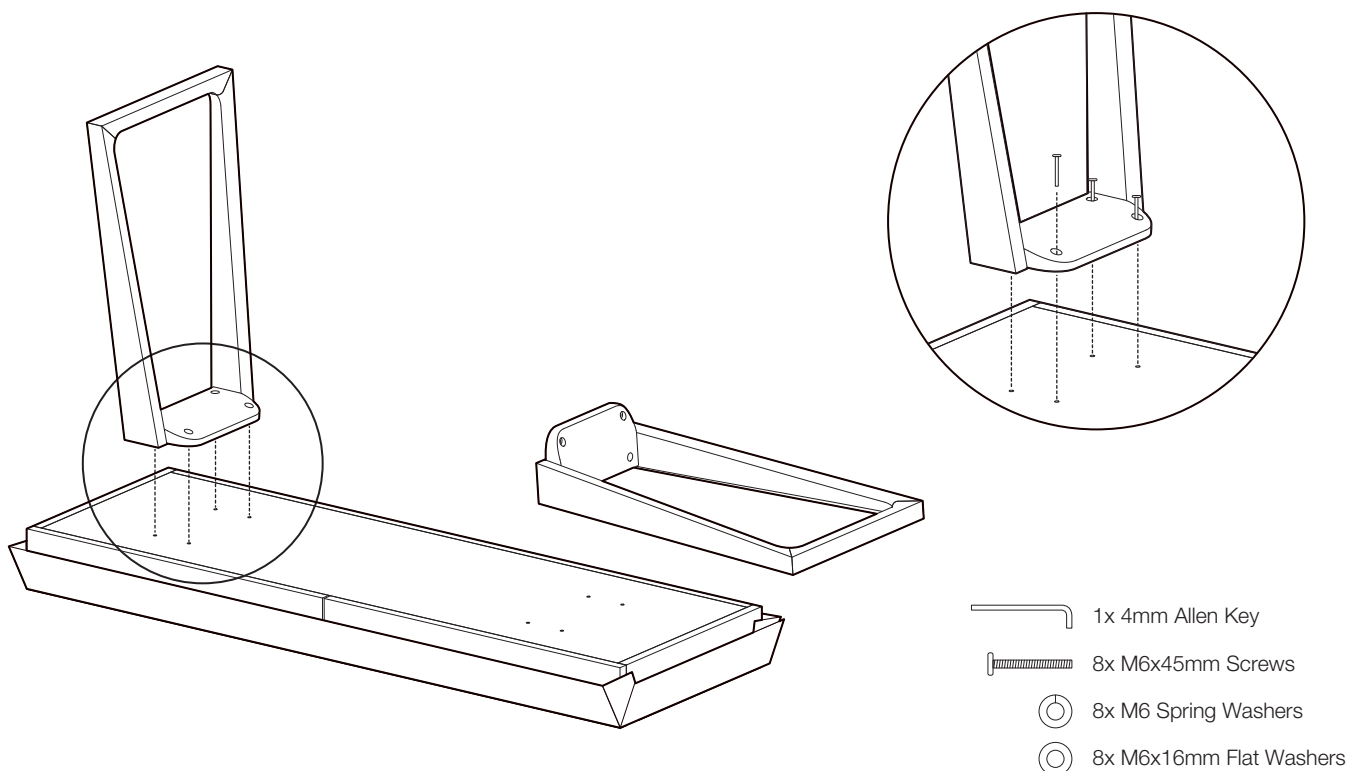
Two people are required for safe assembly.

Opening Boxes

DO NOT use a knife to open the King Living boxes as you may damage your furniture. Peel off the tape, then lift & separate the cardboard flaps to open.

Assemble your furniture by following the steps below.

1



2

